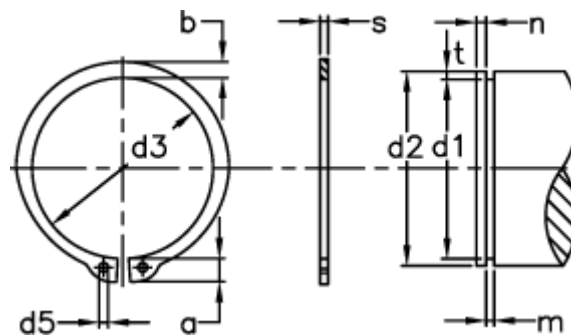


Data Sheet



Article number: 0109065
Description: Retaining ring AS 48x2.5
Spring steel
Note: Fitted with ZGA pliers

Measures



| | | | | | |
|--------------------|---------|---------------|---------|----------------|---------------|
| a max | = 7.8 | Description | = AS 48 | s | = 2.50 |
| AN mm ² | = 184.0 | FN kN | = 30.70 | t | = 1.25 |
| B | = 5.04 | FRg kN | = 19.5 | tol | = -0.25 |
| b | = 5.0 | FR kN | = 101.0 | tol | = -0.07 |
| d1 | = 45.5 | g | = 2.0 | tol | = +0,39 -0,90 |
| d2 | = 48 | m min | = 2.65 | Tong | = ZGA-3 |
| d3 | = 44.5 | n abl x 1000 | = 10 | Weight kg/1000 | = 12.20 |
| d5 min | = 2.5 | Nominal drive | = 3.8 | | |